


REV	DESCRIPTION	Section	Engineer	Checked	Date
R1	更新电话和英文地址更新		Minna		2021/01/27



DF3-C3
M.2 NGFF SATA/NVMe 双协议SSD硬盘盒
M.2 NGFF SATA/NVMe SSD Enclosure

使用说明
User Manual

温馨提示：使用产品前，请您仔细阅读此说明书，并保留此说明书以备将来用作参考。在使用说明书的过程中，如果有任何疑问，请通过support@yottamaster.com与我们的技术支持团队联系，或通过访问www.yottamaster.com的“联系我们”板块寻求技术支持。

一、关于DF3-C3

1.1 产品介绍
本产品属于V-Defender (防窃者)系列中一款专为M.2 SSD设计的高便携移动硬盘盒。采用铝合金+透明塑胶排插设计，透明部分可直观观察内部结构。内部采用RTL9210B主控方案，可支持NGFF SATA和NVMe双协议，最高可支持USB3.1 Gen2 10Gbps传输速率。为您提供便捷、高效的数据存储体验。

1.2 产品特点

- 兼容支持2230、2242、2260、2280四种不同规格M.2 NVMe 或 NGFF SATA固态硬盘。
- 外部采用Type-C接口输出，最高支持10Gbps传输速率。
- 免安装驱动，支持热插拔，即插即用。
- LED指示灯监控，任意随时监视硬盘的工作状态。
- 支持智能休眠技术，10分钟内无读写会自动进入休眠状态，节能环保，提高硬盘使用寿命。
- 全面兼容Window / Mac OS / Linux多平台操作系统。
- 适用于连接PC、智能手机、笔记本电脑、智能电视、智能路由器、PS4等设备使用。

二、包装清单

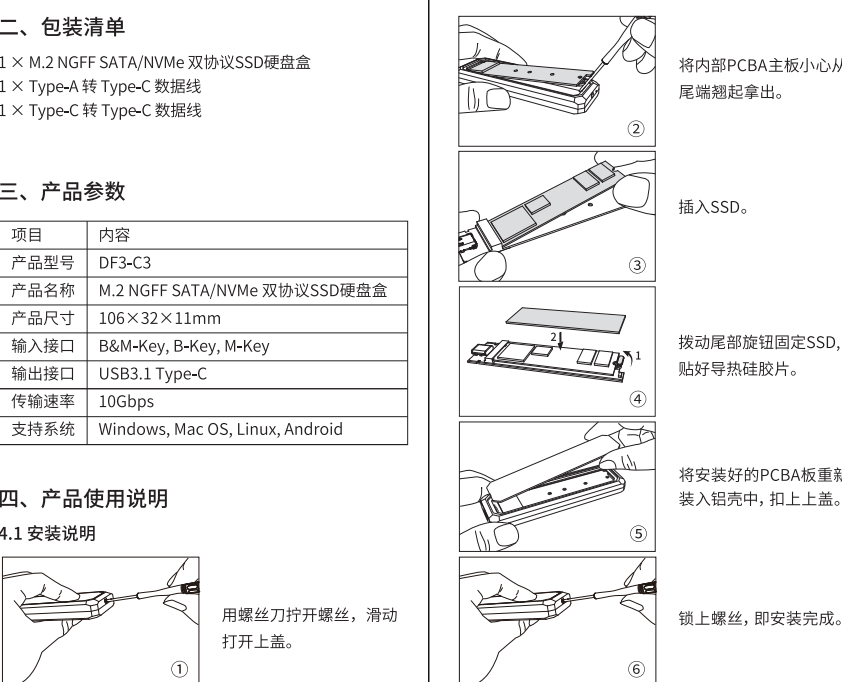
1 × M.2 NGFF SATA/NVMe 双协议SSD硬盘盒
1 × Type-A 转 Type-C 数据线
1 × Type-C 转 Type-C 数据线

三、产品参数

项目	内容
产品型号	DF3-C3
产品名称	M.2 NGFF SATA/NVMe 双协议SSD硬盘盒
产品尺寸	106×32×11mm
输入接口	B&M-Key, B-Key, M-Key
输出接口	USB3.1 Type-C
传输速率	10Gbps
支持系统	Windows, Mac OS, Linux, Android

四、产品使用说明

4.1 安装说明



1. 用螺丝刀拧开螺丝，滑动打开上盖。

2. 将内部PCBA主板小心从尾端翘起拿出。

3. 插入SSD。

4. 拨动尾部旋钮固定SSD，贴好导热硅脂片。

5. 将安装好的PCBA板重新装入壳中，扣上上盖。

6. 锁上螺丝，即安装完成。

4.2 连接设备
连接数据线，接上智能手机、笔记本、PC电脑等主机设备，即可使用。

4.3 指示灯状态
LED指示灯长亮蓝色：接通电源
蓝灯闪烁：读写数据

五、注意事项

- 硬盘是精密设备，请预先阅读其使用说明书并正确操作。
- 如果您使用的新买的硬盘，则需要在硬盘初始化后才能正常使用。
- 请勿撞击、摩擦、针刺本产品，并避免跌落、挤压、弯曲产品。
- 请避免在高温、低温、潮湿、多尘及长期暴露于阳光下使用。
- 请勿将本产品置于有腐蚀性物品的环境，严禁使用其他化学液体清洗本产品。
- 请勿将产品及附件放置于具有强大电磁场的器具中，以及强磁性设备。
- 请将产品及附件放在儿童触摸不到的地方，请勿让儿童在无人监督的情况下使用产品。
- 请勿擅自拆卸和维修产品及附件，只有授权机构才可维修本产品。

六、声明与条款

6.1 保修

6.1.1 保修条款
尤达大师产品的售后服务承诺：严格依据《中华人民共和国消费者权益法》、《中华人民共和国产品质量法》，实行售后三包服务，服务内容如下：
1. 自签收之日起7日内，产品出现性能故障并由尤达大师客户服务中心鉴定之后，可享受退换货、换货或免费维修服务。
2. 自签收起8-15日内，产品出现性能故障并由尤达大师客户服务中心鉴定之后，可享受退换货或免费维修服务。
3. 自签收之日起18个月内，产品出现性能故障并由尤达大师客户服务中心鉴定之后，可享受免费维修服务。

6.1.2 保修限制条款
产品出现以下任一情况，将不属于免费保修范围：
1. 超过保修条款期限。
2. 未经授权拆解、改动或维修过的产品，以及碰撞、进水、摔坏等人为损坏。
3. 火灾、水灾、雷击、地震等不可抗力造成的损坏。
4. 与本使用说明书不一致的错误操作。
5. 产品或包装条码与实物不符，以及被涂改、撕毁。
6. 未经授权使用非原装配件造成的损坏。
7. 无有效的购买凭证。

6.2 版权声明
东莞市尤达大师电子科技有限公司，版权所有。感谢您购买 Yottamaster 产品，为了更好的使用本产品的所有功能，请您在使用产品之前仔细阅读本使用说明书介绍的产品功能、使用说明以及注意事项。
Yottamaster 为东莞市尤达大师电子科技有限公司注册商标。本使用说明书中提及的其他所有产品名称、商标、服务名称和公司名称，由其各自的所有者拥有。
本使用说明书所提及的信息仅供参考，东莞市尤达大师电子科技有限公司保留随时修改本使用说明书中任何信息的权利，无需提前通知。除非有特殊约定，本使用说明书作为使用指导，本使用说明书中的所有陈述、信息等均不构成任何形式的担保。东莞市尤达大师电子科技有限公司不对因使用本使用说明书相关内容及本使用说明书描述的产品而产生的任何特殊的、附带的、间接的、继发性的损害进行赔偿。在相关法律允许的范围内，在任何情况下，东莞市尤达大师电子科技有限公司对您因使用本使用说明书描述的产品而遭受的损失的最大责任（除在涉及人身伤害的情况下根据适用的法律规定的损害赔偿外）以您购买本产品所支付的价格为限。

Please read this user manual carefully before using, and keep it for future reference. Shall there be any questions, please feel free to contact our Technical Support Team at support@yottamaster.com, or visit the "Contact Us" section on yottamaster.com for help.

I Product Overview

1.1 About DF3-C3
This product belongs to V-Defender series, which is a high-end portable hard drive enclosure specially designed for M.2 SSD. It adopts aluminum alloy and transparent plastic. You can directly see the internal structure via the transparent part. Built-in RTL9210B control scheme, can support NGFF SATA and NVMe dual-protocol, and USB3.1 Gen2 interface enables transfer rates up to 10Gbps. Provide you with a portable and efficient data storage experience.

1.2 Features

- Compatible with M.2 NVMe or NGFF SATA SSD of 2230, 2242, 2260, 2280.
- Driver-free, support hot plug, plug and play.
- Convenient LED indicator helps you to monitor the working status of your drive.
- The 10-minute auto-sleep setting helps to prolong the service life of your hard drive.
- Compatible with Window / Mac OS / Linux/Android systems.
- Applicable to PC, smart phone, laptop, smart TV, PS4, etc.

II What's in the Box

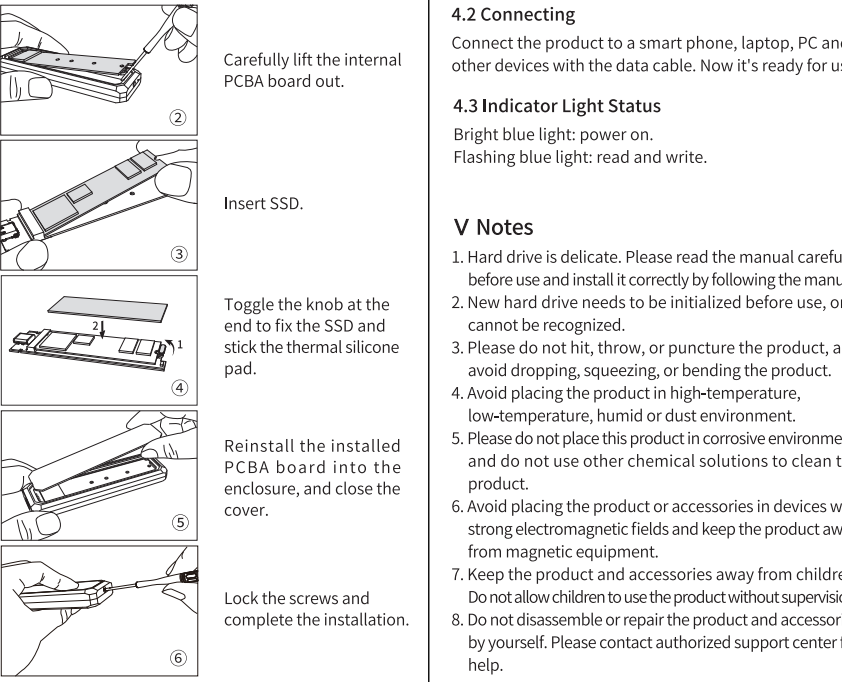
1 × M.2 NGFF SATA / NVMe SSD Enclosure
1 × Type-A to Type-C Cable
1 × Type-C to Type-C Cable
1 × User Manual

III Specifications

Content	Description
Model	DF3-C3
Product Name	M.2 NGFF SATA/NVMe SSD Enclosure
Dimensions	106×32×11mm
Input Port	B&M-Key, B-Key, M-Key
Output Port	USB3.1 Type-C
Transfer Rate	10Gbps
System Supported	Windows/Mac OS/Linux/Android

IV Instructions

4.1 Installation Instructions



1. Unscrew it with a screwdriver, open the cover.

2. Carefully lift the internal PCBA board out.

3. Insert SSD.

4. Toggle the knob at the end to fix the SSD and stick the thermal silicone pad.

5. Reinstall the installed PCBA board into the enclosure, and close the cover.

6. Lock the screws and complete the installation.

4.2 Connecting
Connect the product to a smart phone, laptop, PC and other devices with the data cable. Now it's ready for use.

4.3 Indicator Light Status
Bright blue light: power on.
Flashing blue light: read and write.

V Notes

- Hard drive is delicate. Please read the manual carefully before use and install it correctly by following the manual.
- New hard drive needs to be initialized before use, or it cannot be recognized.
- Please do not hit, throw, or puncture the product, and avoid dropping, squeezing, or bending the product.
- Avoid placing the product in high-temperature, low-temperature, humid or dust environment.
- Please do not place this product in corrosive environment, and do not use other chemical solutions to clean the product.
- Avoid placing the product or accessories in devices with strong electromagnetic fields and keep the product away from magnetic equipment.
- Keep the product and accessories away from children. Do not allow children to use the product without supervision.
- Do not disassemble or repair the product and accessories by yourself. Please contact authorized support center for help.


VI Terms and Statements

6.1 Warranty
Eighteen-Month Limited Warranty
Yottamaster warrants that the product will be free from substantial defects in material and workmanship for the duration of the warranty period specified below. The warranty is eighteen months from the date of delivery, and proof of date of delivery must be provided. This warranty only applies to the first end-user purchaser. If a defect covered by this warranty occurs, Yottamaster, at its sole discretion, shall repair or replace the product at no charge. If there is any questions or suggestions, please contact Yottamaster customer support team for help.

6.2 Declaration
YOTTAMASTER Technologies Co., Ltd. all rights reserved. Thank you so much for purchasing Yottamaster product. For any issues happened while using this product, please refer to this manual for help. Yottamaster is a registered trademark of YOTTAMASTER Technologies Co., Ltd. All product names, trademarks and registered trademarks are property of their respective owners. This manual is for reference only and it's not a guarantee. YOTTAMASTER Technologies Co., Ltd. reserve all rights of maintenance to this manual and shall not liable for any lost or damage resulting from this manual. YOTTAMASTER Technologies Co., Ltd. shall not liable for compensation and maintenance

of the following conditions:
1. Any special, incidental, indirect and secondary lost or damage.
2. Profit and revenue lost or damage.
3. Files, data, drive and device lost or damage.
Note: Compensation for lost or damage resulting from this manual or Yottamaster product shall not exceed the payment of your purchase to this product.

FCC
This device complies with part 15 of the FCC Rules. Operation is subject to the following two conditions:
(1) This device may not cause harmful interference, and
(2) this device must accept any interference received, including interference that may cause undesired operation.

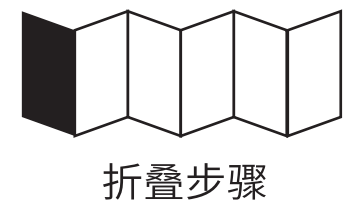


智慧守护信息资产
Make Every Byte Treasurable

东莞市尤达大师电子科技有限公司
YOTTAMASTER Technologies Co., Ltd.
联系电话/Tel: 86-400-7654-899
官方网站/Website: www.yottamaster.com
公司地址: 东莞市常平镇樟村樟角路24号元创动力创新产业园B栋3楼302
Company Add: Room 302, Floor 3, Building B, Yuanchuangdongli Innovation Industrial Park, No.24 Tangjiao Rd, Changping Town, Dongguan City, Guangdong, China
工厂地址: 东莞市常平镇樟村樟角路24号元创动力创新产业园
Factory Add: Yuanchuangdongli Innovation Industrial Park, No.24 Tangjiao Rd, Changping Town, Dongguan City, Guangdong, China
DF3-C3-MUG-01

Note:

1. 材质: 105g铜版纸
2. 印刷颜色: 单色双面印刷
3. 尺寸: 60*100mm
4. 结合方式: 折页



折叠步骤

ORICO Technologies Co.,Ltd

正式图档

DATE 2021/01/27

DRAWN	Minna	General tolerance: At least --- Less than		ORICO Technologies Co.,Ltd
DATE	2020/09/05	0 ~ 10	± 0.2	
ENGINEER		10 ~ 30	± 0.5	Part Name HC3-C3_说明书
DATE		30 ~	± 1	
CHECKED		Scale		File Name YOTTAMASTER
DATE		Sheet-of 1/1	Unit mm	
APPROVAL		Scale		
DATE				